

UPRIGHT TANK

HIGH- PERFORMANCE HEAT EXCHANGER UPRIGHT TANK

HRS 300

HRS 400

HRS 500

HRS 750

HRS 900

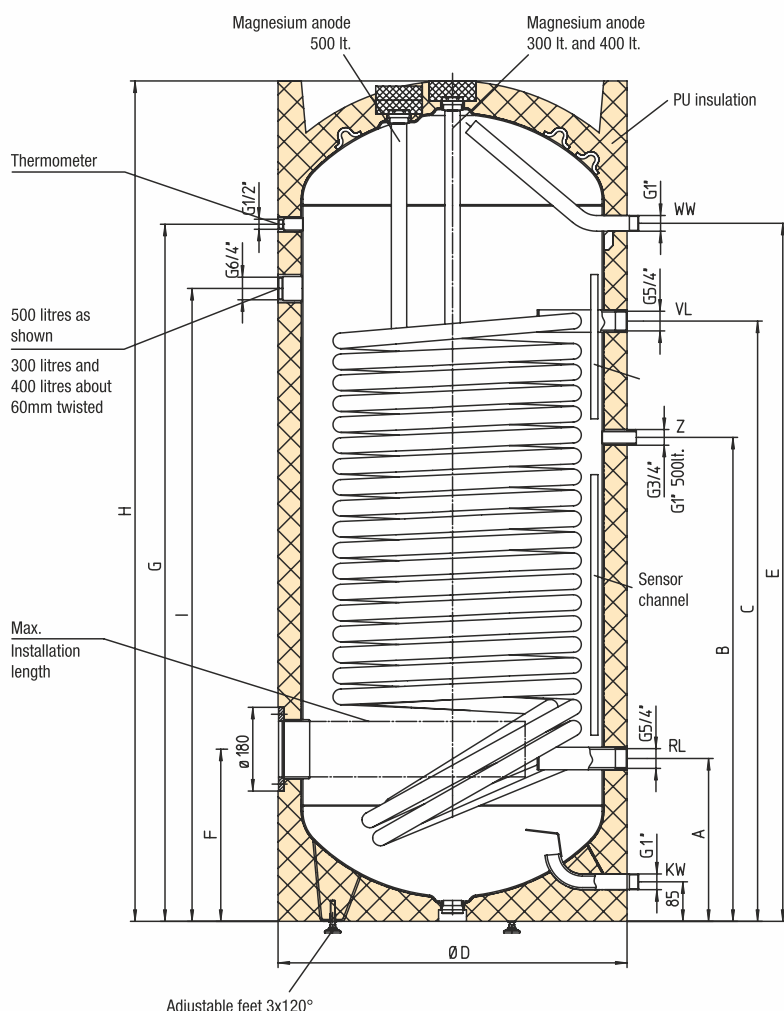


AE
Austria Email

HIGH-PERFORMANCE HEAT EXCHANGER UPRIGHT TANK - HRS 300, 400, 500

This is Austria Email's answer to the growing demand for low return temperatures in the heating circuit: a cylinder with very large heating surfaces. With its double-coiled straight-tube heat exchanger providing an exceptionally high transfer performance, this water heater is the first choice for energy-conscious applications, such as zero-energy homes or heat pump systems.

HRS 300, 400, 500



- Internal boiler enamelled according to DIN 4753 T3 and T6
- Operating pressure: max. 10 bar
- Operating temperature: max. 95 °C
- Straight-tube heat exchanger with very large heating surfaces
- Energy-saving 50 mm PU insulation
- Foil jacket delivered separately (silver-grey)
- Circulation: 3/4" male thread for HRS 300 and HRS 400, 1" male thread for HRS 500
- Variable sensor position (sensor channel)
- High-quality dial thermometer attached
- DIN 4753-compliant magnesium sacrificial anode
- 6/4" sleeve for SH screw-in heater for electrical backup heating (sealed)
- Adjustable feet

ACCESSORIES:

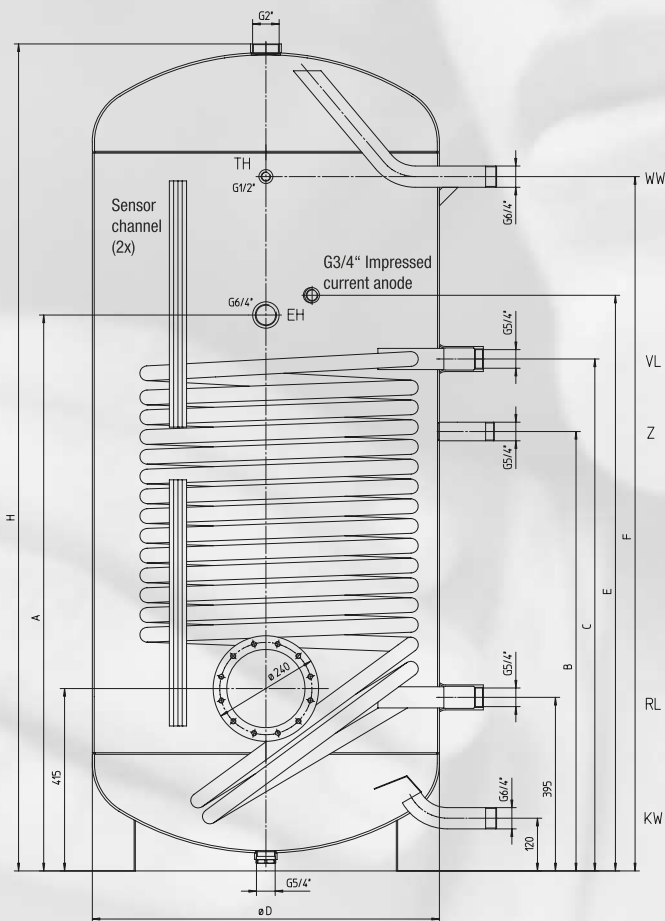
- Mounted thermometer charge pump controller combination ATR
- Flange immersion heater, 180 mm
- 6/4" screw-in heater, "SH" series
- Impressed current anode (add-on kit)
- Finned tube heat exchanger
- For more information, please see our accessories brochure

Model	Dimensions in mm									Diagonal height	Max. Installation length	Pipe array heating surface	Pipe array capacity	Weight	Standby energy consumption	N _L number	ETE* in mm
	H	ø D	A	B	C	E	F	G	I								
HRS 300	1435	680	320	840	990	1160	345	1156	1050	1595	450	3,5	22,6	170	2,2	14	590
HRS 400	1800	680	320	1000	1260	1525	345	1521	1330	1930	450	5,0	32,2	212	2,5	21	590
HRS 500	1806	760	350	1040	1290	1500	370	1498	1360	1970	530	6,0	39,6	254	2,7	24	670
HRS 750	2000	790	1265	1000	1165	1310	1580	-	-	1960	850	6,0	39,6	317	2,7	34	850
HRS 900	2350	790	1445	1180	1345	1490	1920	-	-	2300	850	7,5	49,7	374	3,0	42	850

* Installation depth of screw-in heater

HIGH-PERFORMANCE HEAT EXCHANGER UPRIGHT TANK - HRS 750, 900

HRS 750, 900



- Internal boiler enamelled according to DIN 4753 T3 and T6
- Operating pressure: max. 10 bar
- Operating temperature: max. 95 °C
- Straight-tube heat exchanger with very large heating surfaces
- With new ECO SKIN insulation 100 mm
- Circulation: 5/4"
- Variable sensor position (sensor channel)
- High-quality dial thermometer attached
- With built-in impressed current anode
- 6/4" sleeve for SH screw-in heater for electrical backup heating (sealed)

ACCESSORIES:

- Mounted thermometer charge pump controller combination AT R
- Flange immersion heater, 240 mm
- 6/4" screw-in heater, "SH" series
- Impressed current anode (add-on kit)
- Finned tube heat exchanger
- For more information, please see our accessories brochure

	Impressed current anode											
Supply temperature	55°C	55°C	55°C	55°C	60°C	60°C	60°C	60°C	65°C	65°C	65°C	65°C
Hot water temperature	45°C	45°C	45°C	45°C	50°C	50°C	50°C	50°C	55°C	55°C	55°C	55°C
Cold water temperature	10°C	10°C	10°C	10°C	10°C	10°C	10°C	10°C	10°C	10°C	10°C	10°C
Heating circuit flow rate	600l/h	1200l/h	1800l/h	2400l/h	600l/h	1200l/h	1800l/h	2400l/h	600l/h	1200l/h	1800l/h	2400l/h
HRS 300	16,0	22,7	26,4	28,8	17,7	25,1	29,1	31,7	20,7	29,7	34,8	38,1
HRS 400	18,6	27,4	32,4	35,7	20,6	30,2	35,7	39,4	22,5	33,0	39,1	43,0
HRS 500	20,5	30,9	37,1	41,2	22,6	34,1	40,9	45,4	24,7	37,2	44,7	49,7
HRS 750	20,5	30,9	37,1	41,2	22,6	34,1	40,9	45,4	24,7	37,2	44,7	49,7
HRS 900	22,5	35,5	44,9	52,1	24,0	38,4	48,5	56,1	25,8	41,2	51,9	60,0



WE MANUFACTURE
IN AUSTRIA AND
DELIVER TO EUROPE

© www.egentur-scharf.at - 240.828 - HPS - Printed on environmentally friendly paper free from chlorine. Technical changes and misprints reserved.

Renomowany producent



**Centrala i zakład produkcyjny
Austria Email AG**
A-8720 Knittelfeld, Austriastraße 6
Tel.: (03512) 700-0, faks: (03512) 700-239
www.austria-email.at

Oficjalny polski dystrybutor



Multiinstal Group Sp. z o.o
Al. J. Szajnowicza-Iwanowa 13C/2, 25-636 Kielce
Tel: +48 41 202 05 48
E-mail: biuro@multiinstal.pl
www.multiinstal.pl